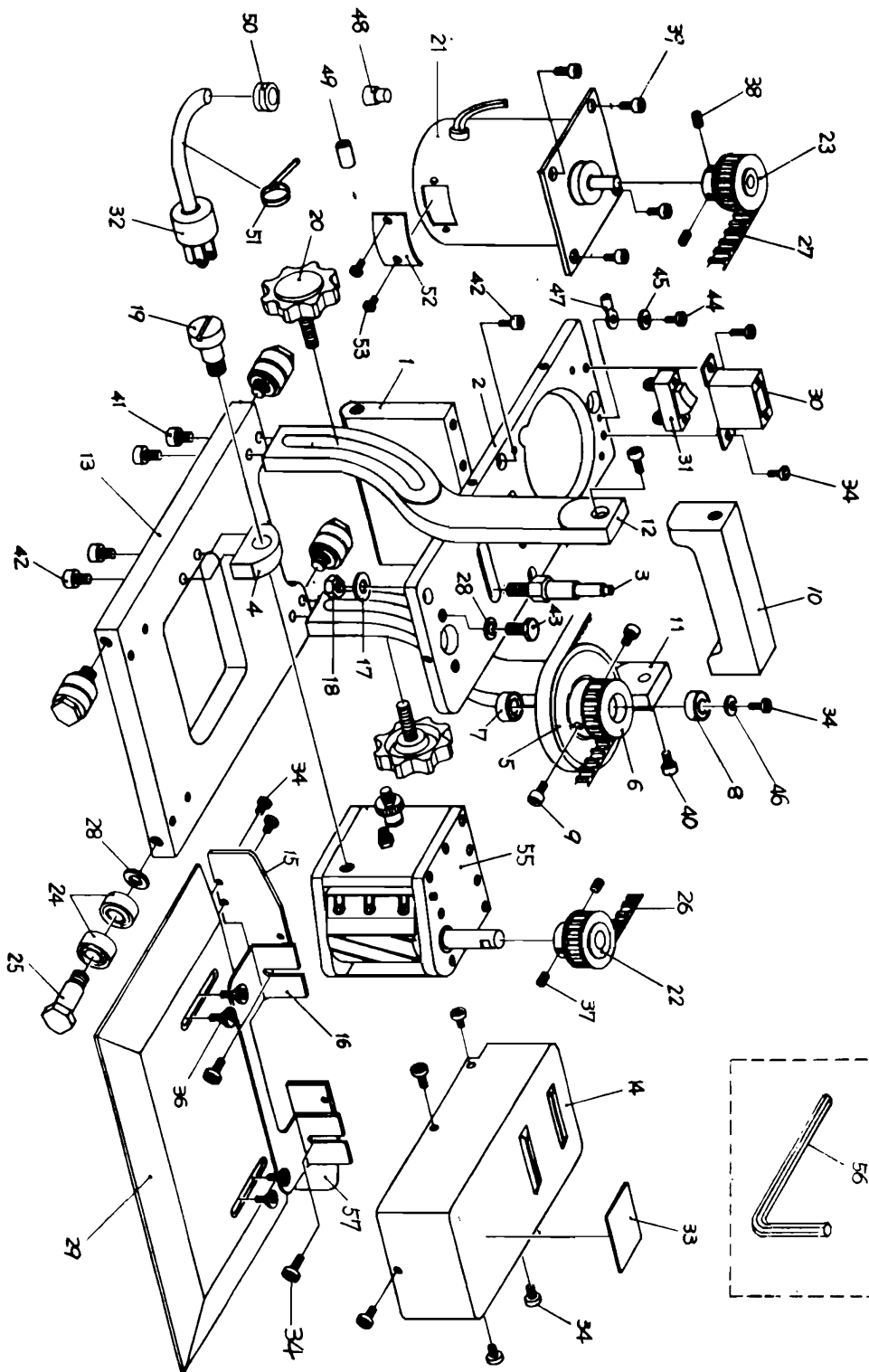


N.C PORTABLE BEVELER

PARTS LIST

N.C CARPET BINDING & EQUIPMENT CORPORATION
858 SUMMER AVENUE, NEWARK, N.J. 07104 U.S.A.



Eig. N o.	Parts No.	Description	Amt. Req.	Fig. N o.	Parts No.	Description	Amt. Req.
1	NC 010183	Plate Center	1	34	NC 022283-S	Cross-Recessed Hd. Machine Screw	14
2	NC 010283	Plate,Cutter Mounting	1				
3	NC 010483	Stud Idler	1	35			
4	NC 010583	Lug Mounting	1	36	NC 022483-S	Flat Hd.Screw	4
5	NC 010783	Idler Assembly	1	37	NC 022583-S	Hexagon Socket Set Screw	2
6	NC 010783-1	Pulley 60XLB037	1	38	NC 022683-S	Hexagon Socket Set Screw	2
7	NC 010783-2	Pulley 22XLB037	1	39	NC 022783-S	Hexagon Socket Hd.Bolt	4
8	NC 020083	Bearing 6002	1	40	NC 022883-S	Hexagon Socket Hd.Bolt	2
9	NC 020183	Bearing 6900	1	41	NC 022983-S	Hexagon Socket Hd.Bolt	4
10	NC 022083-S	Hexagon Socket Hd.Bolt	2	42	NC 023083-S	Hexagon Socket Hd.Bolt	6
11	NC 010883	Handle	1	43	NC 023183-S	Hexagon Hd.Bolt	2
12	NC 010983-R	Arm Support, RH	1	44	NC 023283-S	Cross-Recessed Hd. Machine Screw	1
13	NC 010983-L	Arm Support, LH	1	45	NC 023383-W	Plain Washer	1
14	NC 011083	Plate Base	1	46	NC 023483-W	Plain Washer	1
15	NC 011683	Guard	1	47	NC 024983	Compression Terminal	1
16	NC 091760	Guide Rug, LH	1	48	NC 025083	Insulated Closed-End Connector	1
17	NC 050558	Pressure Foot	1				
18	NC 025783-W	Washer	1	49	NC 025183	Tubing for Electrical Insulation	2
19	NC 022183-N	Hexagon Nut	1				
20	NC 011883	Shoulder Bolt	1	50	NC 025283	Cord Bush	1
21	NC 021083	Knob	2	51	NC 025683	Insulock Tie	1
22	NC 020683	Motor	1	52	NC 025883	Motor Side Cover	2
23	NC 020283	Pulley 22XLB037	1	53	NC 026003-S	Cross-Recessed Hd. Tapping Screw	4
24	NC 020383	Pulley 15XLB037	1				
25	NC 020183	Plate Base Roller	8	54			
26	NC 021183	Plate Base Roller Shaft	4	55	Nc 100083	Cutter Head Assembly	1
27	NC 020483	Gearvelt 100XL037	1	56	NC 100183	Hexagon Wrench Key	1
28	NC 020583	Gearvelt 160XL037	1	57	NC 030003	Guide Rug, RH	1
29	NC 025383-W	Plain Washer	6				
30	NC 091960	Bedplate	1				
31	NC 020883	Switch Box	1				
32	NC 020783	Switch	1				
33	NC 020983	Socket Cord	1				
	NC 021283	Mach.No.Sticker	1				

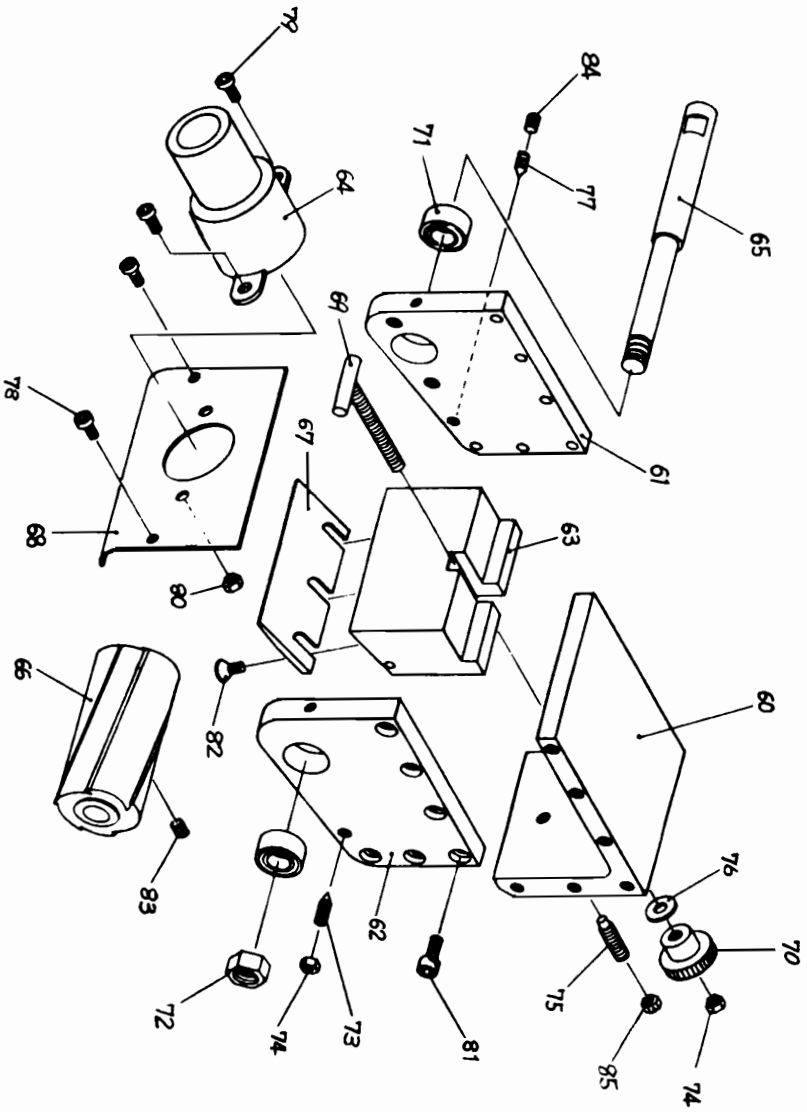


Fig. N o.	Parts No.	Description	Amt. Req.	Fig. N o.	Parts No.	Description	Amt. Req.
60	NC 011183	Support Center	1				
61	NC 011283-L	Plate Side, LH	1				
62	NC 011283-R	Plate Side, RH	1				
63	NC 011383	Block Swivel	1				
64	NC 030004	Nozzle Vacuum	1				
65	NC 010383	Shaft Rotary Cutter	1				
66	NC 050553-M	Cutter Rotary	1				
67	NC 061960	Blade Stationary	1				
68	NC 011483	Guard, Cutter	1				
69	NC 010683	Arm, Adjust	1				
70	NC 27902	Knob, Adjust	1				
71	NC BR9916	Bearing 6001	2				
72	NC 022183-N	Hexagon Nut	1				
73	NC 011783	Cone-Point Eccentric Screw	1				
74	NC 024183-N	Hexagon Nut	2				
75	NC 021384	Spring Plunger	1				
76	NC 024383-W	Plain Washer	1				
77	NC 024483-S	Cone point Screw	1				
78	NC 024583-S	Cross-Recessed Hd. Machine Screw	2				
79	NC 022283-S	Cross-Recessed Hd. Machine Screw	2				
80	NC 024683-N	Hexagon Nut	2				
81	NC 024783-S	Socket Hd. Bolt	12				
82	NC 024883-S	Flat Hd. Screw	3				
83	NC 021483-S	Socket Hd. Screw	1				
84	NC 025483-S	Socket Hd. Screw	1				
85	NC 024184-N	Hexagon Nut	1				