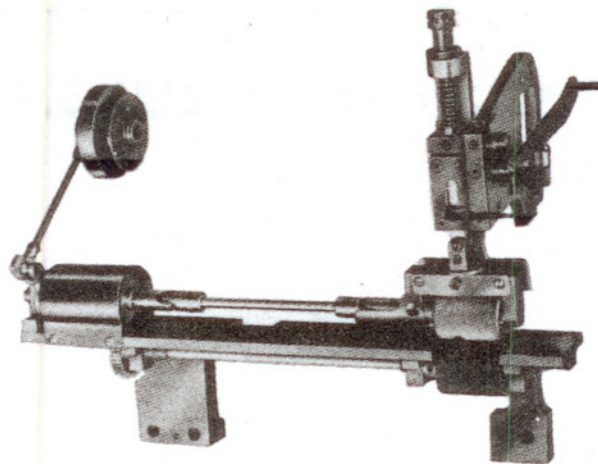


ILLUSTRATED PARTS LIST
FOR
NC PULLER MODEL P-1000

NC PULLER MODEL P-1000-812



NC CARPET BINDING & EQUIPMENT CORP.

N-C CARPET BINDING
& EQUIPMENT CORP.
858 SUMMER AVE.
NEWARK, NJ 07104
PHONE (973) 481-3500
TOLL FREE (800) 526-1184
FAX (973) 481-0839
CANADA (800) 336-1184
WWW.NCCARPET.COM

PLATE No. 1

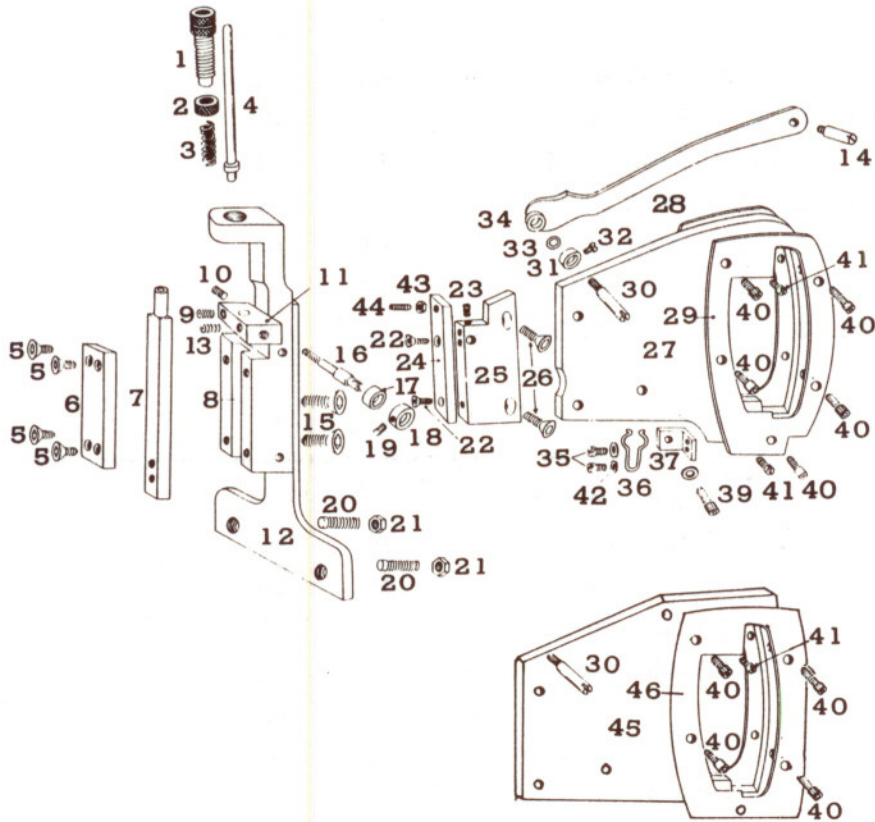
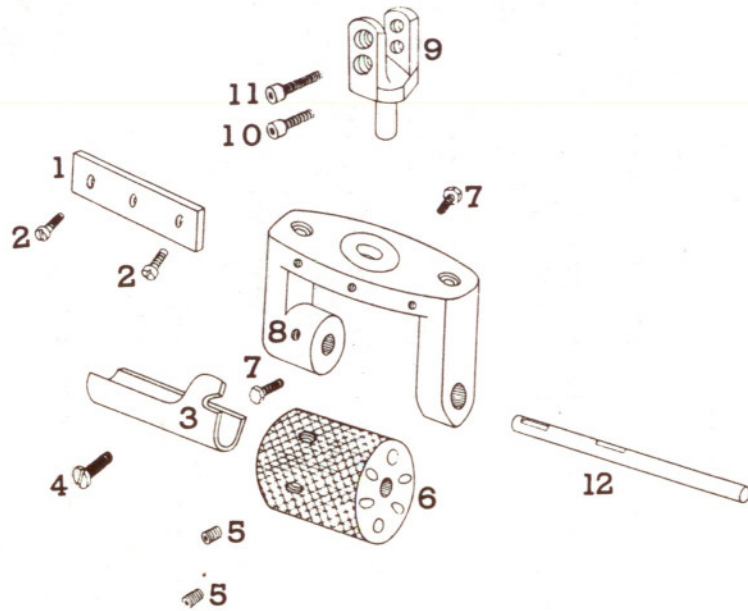
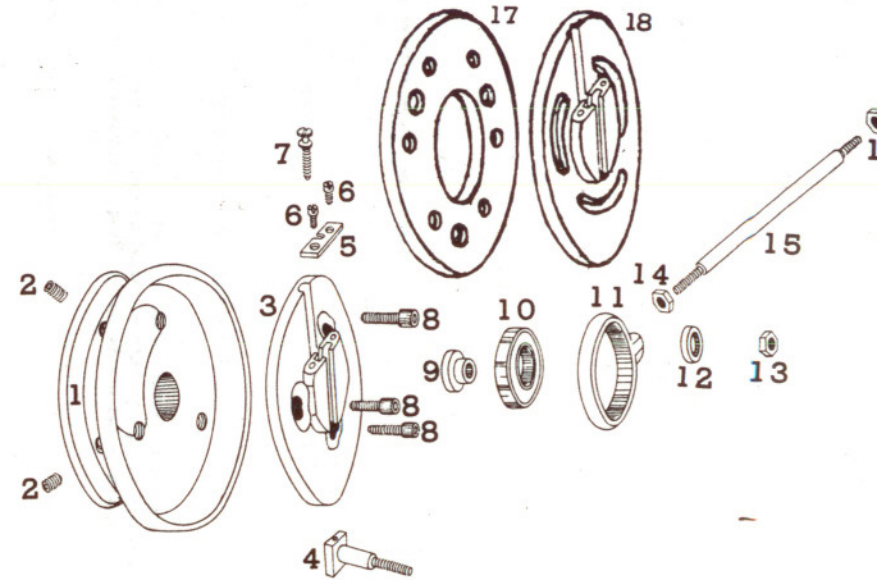


PLATE No. 2



1	P-06	Dust Clearer
2	NS-15	Screw 9/64-40 · 1/2
3	028	Shield for Universal
4	#22542	Screw V-107
5	#22651CD-5	Roller Set Screw 1/8-28 · 3/8
6	033	Roller 1-11/16 OD · 2
7	#22852	Screw V-113 · 7/16
8	031	Fork
9	030	Swivel
10	NS-9	Screw, 10-32 · 3/8
11	22653B-12	Screw, 10-32 · 3/8
12	032	Shaft

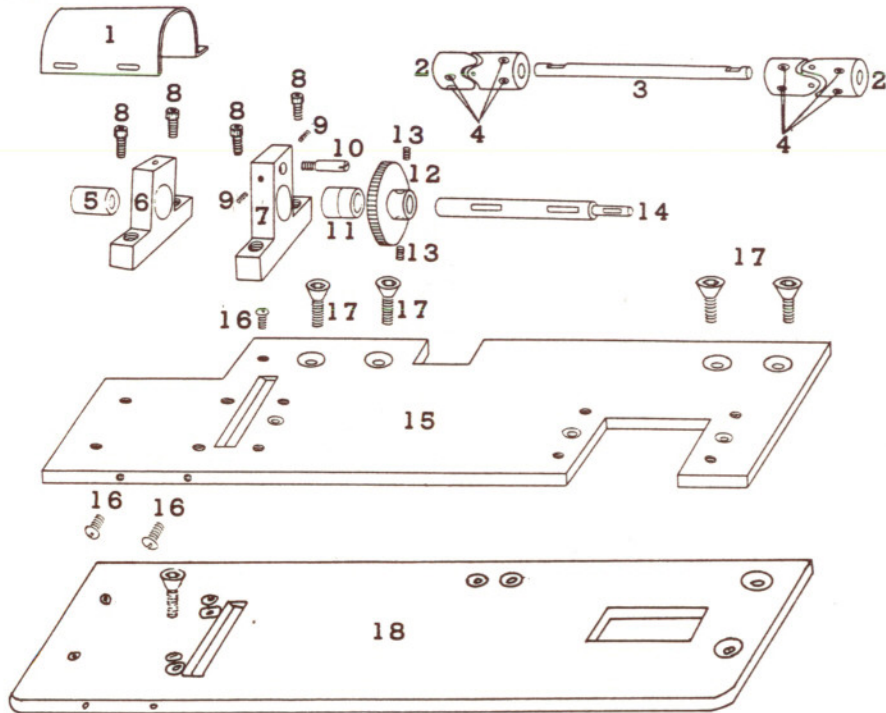
PLATE No. 3



• 1	NC52921B	Pulley
• 2	#22894G	Screw V-118
• 3	P-33	Feed Regulating Plate
4	#17	Adj. Stud V-113
5	#51236B	Cap Plate
6	#77	Screw V-104
7	#82	Adj. Screw V-107
8	#22653B-12	Screw 10-32 × 1/2
9	011	Washer, Shoulder
10	007B	Bearing
11	007	Strap
12	009	Washer
13	#18	Nut V-113
14	#18	Nut V-113
15	049	Conn. Rod 5"
16	#269	Nut V-114 (L.H.)
**17	NC52921BS	Hub (812 Serger)
**18	P-33S	Feed Regulating Plate (812 Serger)

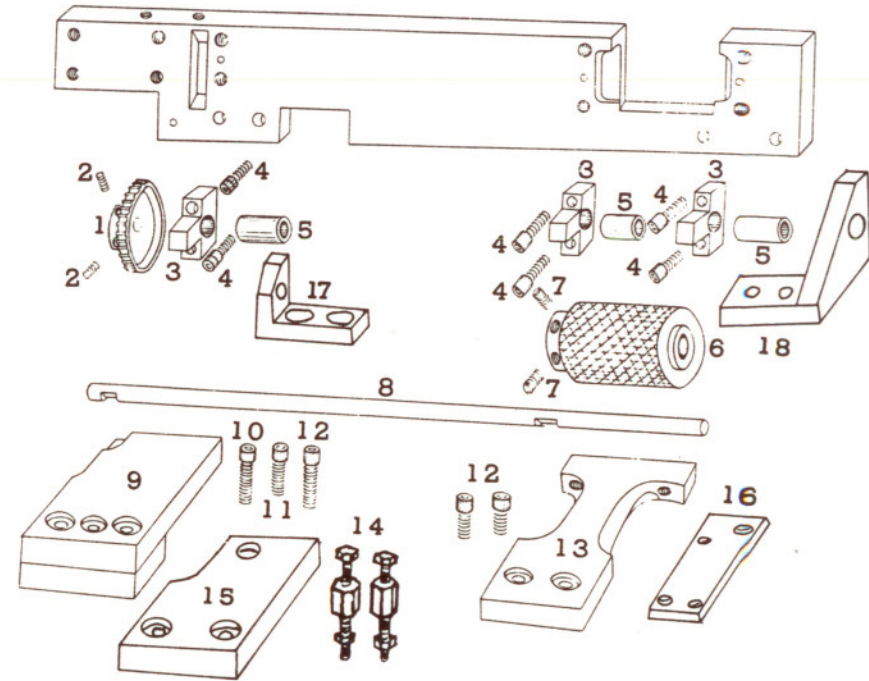
• For P1000 Only
 • For P1000-812 Serger Only

PLATE No. 4



1	004	Clutch Shield
2	047	Universal (2) 5/16 ID
3	032	Conn. Rod 5/16 ID
4	#22894C	Screw V-113
5	P-52	Bushing
6	003	Lug
7	002	Brake Lug
8	#22652D-6	Screw 1/4-20 x 1/2
9	#22651CB-4	Screw 10-32 x 1/4
10	#42A	Brake Stud V-109
11	P-51	Bushing
12	036	Gear 3/8 ID
13	NS-20	Set Screw 10-32 x 3/16
14	037	Clutch Shaft
*15	001	Clutch Cloth Plate
16	NS-15	Screw 9/64-40 x 1/4
17	NS-2	Plate Set Screw Countersunk 1/4-20 x 1/2
**18	001S	Clutch Cloth Plate for 812

PLATE No. 5



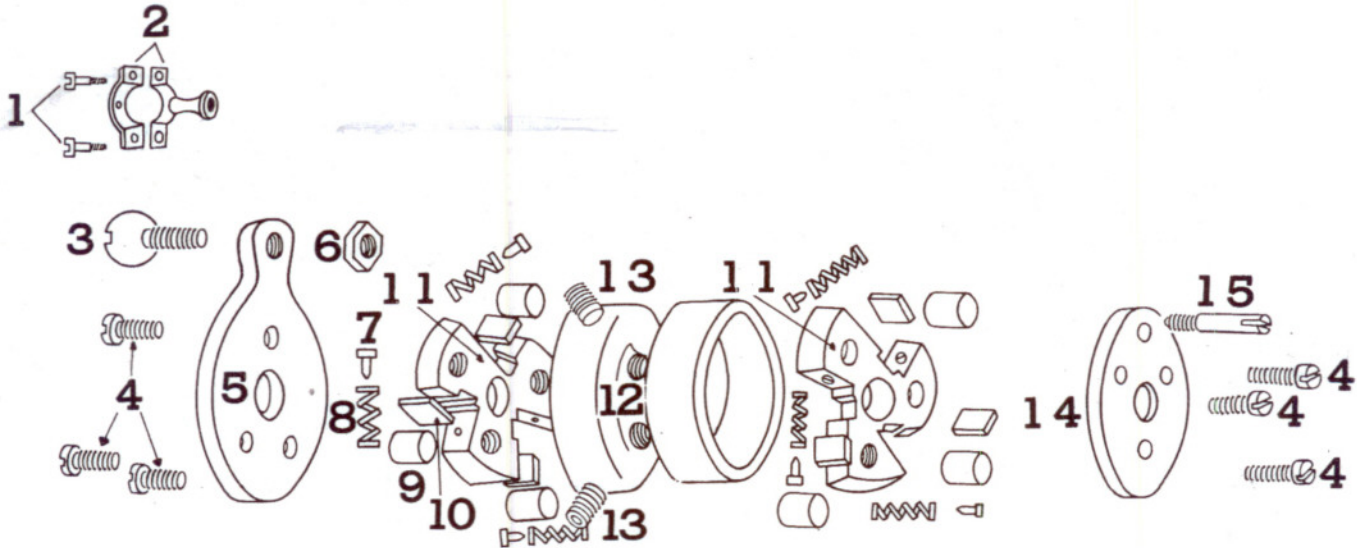
1	035	Gear .407 ID
2	NS-20	Set Screw 10-32 x 3/16
3	053	Lug .406 ID
4	#22653B-8	Screw for Lug 10-32 x 1/2
5	053A	Bushing
6	034	Roller w/Hub .406 ID 1-11/16 OD x 2
7	#22651CD-4	Set Screw 1/4-28 x 1/2
8	051	Shaft
*9	054	Brace for Plate
10	#22652D-20	Screw 1/4-20 x 1-1/4
11	#22652D-12	Screw 1/4-20 x 1
12	#22652D-12	Screw 1/4-20 x 1
*13	055	Brace for Plate
**14	056S	Stud for Serger
**15	054S	Brace for Plate for Serger
**16	055S	Brace for Plate for Serger
**17	053S	Lug
**18	053SS	Lug

* For P1000 Only

** For P1000-812 Serger Only

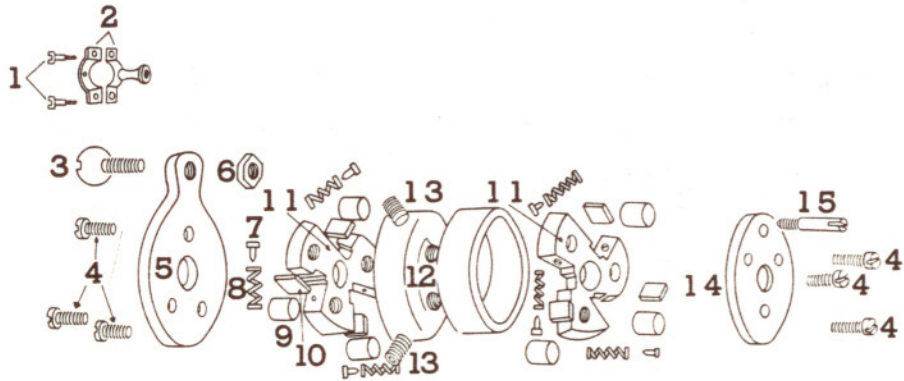
PLATE No. 6

NS18C CLUTCH COMPLETE



1	#97A	Screw V-107
2	050	Strap for Ball Joint
3	050A	Ball
4	NS-18	Screw #1255 5.1-36 × 3/8
5	006	Drive Lever
6	#18	Nut V-113
7	041	Plunger
8	042	Spring
9	040	Roller
10	044P	Support Plate
11	044	Clutch Disc
12	046	Barrel 3/8 ID
13	#2265ICD-5	Set Screw 1/4-28 × 3/8
14	039	Brake Plate
15	#42A	Brake Stud V-109

PLATE No. 6

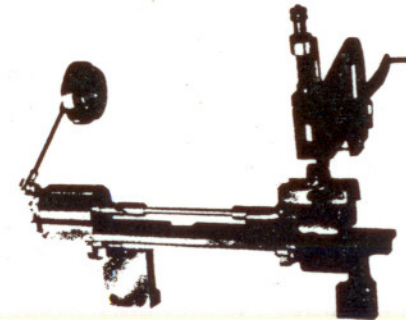


1	#97A	Screw V-107
2	050	Strap for Ball Joint
3	050A	Ball
4	NS-18	Screw #1255 5.1-36 x 3/8
5	006	Drive Lever
6	#18	Nut V-113
7	041	Plunger
8	042	Spring
9	040	Roller
10	044P	Support Plate
11	044	Clutch Disc
12	046	Barrel 3/8 ID
13	#2265ICD-5	Set Screw 1/4-28 x 3/8
14	039	Brake Plate
15	#42A	Brake Stud V-107

ILLUSTRATED PARTS LIST

FOR

NC PULLER MODEL P-1000 NC SERGER PULLER MOD. P-1000-812



NC CARPET BINDING & EQUIPMENT CORP.

N-C EQUIPMENT CORP.
858 SUMMER AVE.
NEWARK, N.J. 07104
TELEPHONE (201) 481-3500